

### Technical Data

For detailed data and product description refer to the data sheets at [www.pepperl-fuchs.com](http://www.pepperl-fuchs.com)

#### General Data

Rated operating distance	5 mm
Installation	flush
Operating voltage	10 ... 30 V DC
No-load supply current	≤ 10 mA
Reverse polarity protection	✓
Switching frequency	0 ... 360 Hz
Operating current	≤ 200 mA
Short-circuit protection	pulsing
Operating voltage display	LED, green
Indication of the switching state	LED, yellow
Ambient temperature	-25 ... 70 °C (-13 ... 158 °F)
Housing material	Stainless steel 1.4305 / AISI 303
Sensing face	Stainless steel 1.4305 / AISI 303

### Properties

- Ø12 mm metal face housing
- 5 mm, flush mountable
- DC, 3-wire switching output
- Cable and connector versions

### Your Benefit

- Increased resistance to environmental influences due to self-contained metal sleeve

#### Model Number

		NMB5-12GM55-E0	NMB5-12GM55-E2	NMB5-12GM65-E0-V1	NMB5-12GM65-E2-V1	NMB5-12GM65-E3-V1
Switching element function	green = preferred type	●	●	●	●	●
	NPN NO					
	PNP NO		●		●	
	PNP NC					●
Protection degree	IP67 / IP68 / IP69K - cordset dependent according to cable Standard IP69K	●	●	●	●	●
Connection type	Device connector M12 x 1, 4-pin cable PUR, 2 m	●	●	●	●	●

#### Approvals and Certificates

UL approval	cULus Listed, General Purpose	●	●	●	●	●
CSA approval	cCSAus Listed, General Purpose	●	●	●	●	●
CCC approval	Products with a maximum operating voltage of ≤36 V do not bear a CCC marking because they do not require approval.					

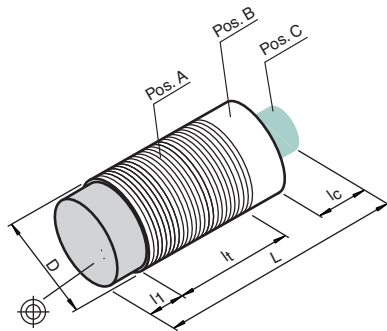
#### Dimensions

Length L [mm]	55	65
Diameter D [mm]		12
Thread length l <sub>t</sub> [mm]	45	42
Cap length l <sub>1</sub> [mm]		2
Connector area l <sub>c</sub> [mm]	0	15
LED position		Pos. C

### Accessories

This and more accessories can be found in chapter 10  
See pages from 972 ... for cordsets    See pages 1068 ... for mounting aids

V1-G-2M-PUR	Cable socket, M12, 4-pin, PUR cable
V1-W-2M-PUR	Cable socket, M12, 4-pin, PUR cable
AB-12	Mounting aid



### Electrical Connection

NMB5-12GM55-E0

NMB5-12GM55-E2

NMB5-12GM65-E0-V1

NMB5-12GM65-E2-V1

NMB5-12GM65-E3-V1

Wire colors in accordance with EN 60947-5-2

1	BN	(brown)
2	WH	(white)
3	BU	(blue)
4	BK	(black)